



**RADIO TEST REPORT**  
**EN 303 345-1 V1.1.1 (2019-06)**  
**ETSI EN 303 345-3 V1.1.1 (2021-06)**

**Product :** Mobile Phone

**Trade Mark :** Blackview

**Model Number :** BV8800

**Family Model :** N/A

**Report No. :** STR211129004009E

**Prepared for**

DOKE COMMUNICATION (HK) LIMITED.

RM 1902 EASEY COMM BLDG 253-261 HENNESSY ROAD WANCHAI HK, CHINA.

**Prepared by**

Shenzhen NTEK Testing Technology Co., Ltd.

1/F, Building E, Fenda Science Park, Sanwei Community, Xixiang Street  
Bao'an District, Shenzhen 518126 P.R. China

Tel. 400-800-6106, 0755-2320 0050, 0755-2320 0090

Website: <http://www.ntek.org.cn>

**TEST RESULT CERTIFICATION**

**Applicant's name** ..... DOKE COMMUNICATION (HK) LIMITED.  
**Address** ..... RM 1902 EASEY COMM BLDG 253-261 HENNESSY ROAD  
WANCHAI HK, CHINA.  
**Manufacturer's Name**... Shenzhen DOKE Electronic Co.,Ltd.  
**Address** ..... 801, Building3, 7th Industrial Zone, Yulv Community, Yutang Road,  
Guangming District, Shenzhen, China.

**Product description**

**Product name** ..... Mobile Phone  
**Trademark** ..... Blackview  
**Model and/or type reference** ..... BV8800  
**Family Model** ..... N/A

**Standards** ..... ETSI EN 303 345-1 V1.1.1 (2019-06)  
ETSI EN 303 345-3 V1.1.1 (2021-06)

This device described above has been tested by Shenzhen NTEK, and the test results show that the equipment under test (EUT) is in compliance with the 2014/53/EU RED Directive Art.3.2 requirements. And it is applicable only to the tested sample identified in the report.

This report shall not be reproduced except in full, without the written approval of Shenzhen NTEK, this document may be altered or revised by Shenzhen NTEK, personnel only, and shall be noted in the revision of the document.

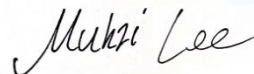
**Date of Test** .....

Date (s) of performance of tests..... Nov 29. 2021 ~ Dec 29. 2021

Date of Issue ..... Dec 29. 2021

Test Result ..... **Pass**

Testing Engineer :



(Mukzi Lee)

Authorized Signatory :



(Alex Li)

**Table of Contents**

**Page**

<b>1 . GENERAL INFORMATION</b>	<b>5</b>
1.1 GENERAL DESCRIPTION OF EUT	5
1.2 TEST CONDITIONS AND CHANNEL	6
1.3 DESCRIPTION OF TEST CONDITIONS	7
1.4 DESCRIPTION OF SUPPORT UNITS	8
1.5 EQUIPMENTS LIST FOR ALL TEST ITEMS	9
<b>2 . SUMMARY OF TEST RESULTS</b>	<b>10</b>
2.1 TEST FACILITY	11
2.2 MEASUREMENT UNCERTAINTY	11
<b>3 . TEST PROCEDURES AND RESULTLS</b>	<b>12</b>
3.1 SENSITIVITY	12
3.1.1 LIMITS	12
3.1.2 TEST PROCEDURE	12
3.1.3 TEST SETUP	13
3.1.4 TEST SIGNALS	13
3.1.5 TEST RESULTS	13
3.2 . ADJACENT CHANNEL SELECTIVITY AND BLOCKING	14
3.2.1 LIMITS	14
3.2.2 TEST PROCEDURE	15
3.2.3 TEST SETUP	15
3.2.4 TEST SIGNALS	15
3.2.5 TEST RESULTS	16
3.3 . UNWANTED EMISSIONS IN THE SPURIOUS DOMAIN	17
3.3.1 LIMITS	17
3.3.2 LIMITS OF RADIATED EMISSION MEASUREMENT	17
3.3.3 TEST PROCEDURE	18
3.3.4 TEST SETUP	19
3.3.5 EUT OPERATING CONDITIONS	19
3.3.6 TEST RESULTS (30-1000MHz)	20
3.3.7 TEST RESULTS(1000-6000 MHz)	22
<b>4 . EUT TEST PHOTO</b>	<b>23</b>

**Revision History**

Report No.	Version	Description	Issued Date
STR211129004009E	Rev.01	Initial issue of report	Dec 29. 2021

## 1. GENERAL INFORMATION

### 1.1 GENERAL DESCRIPTION OF EUT

Equipment	Mobile Phone	
Trade Mark	Blackview	
Model Number.	BV8800	
Family Model	N/A	
Model Difference	N/A	
Product Description	The EUT is Mobile Phone	
	Operation Frequency:	FM: 87.5 MHz to 108 MHz
	Modulation Type:	FM: Analog modulation
	Number Of Channel	Please see Note 2.
Antenna Designation:	Use earphone as Antenna	
Channel List	Refer to below	
Adapter	Model: QA-0300CE03 Input: AC 100-240V~50/60Hz 0.8A Output: DC 5.0V ---3.0A or DC 9.0V ---3.0A or DC 12.0V ---2.5A or DC 15.0V ---2.0A or DC 20.0V ---1.5A	
Battery	DC 3.85V, 8380mAh, 32.263Wh	
Rating	DC 3.85V from battery or DC 5V from Adapter.	
I/O Ports	Refer to users manual	
Hardware Version	TE926_MAIN_PCB_V1.1	
Software Version	BV8800_EEA_TE926_V1.0	

**Note:**

1. For a more detailed features description, please refer to the manufacturer's specifications or the User's Manual.

1.2 TEST CONDITIONS AND CHANNEL

Normal Test Conditions	
Temperature	15°C - 35°C
Relative Humidity	20% - 75%
Supply Voltage	DC 5V

Number Of Channel

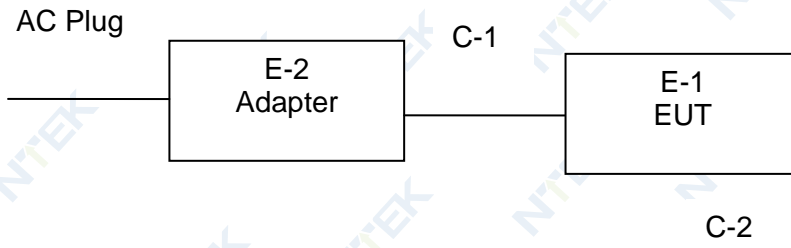
Channel	Frequency (MHz)
01	87.5
02	87.6
k	$87.5+0.1(k-1)$
106	98.0
.....	...
.....	.....
205	107.9
206	108.0

Test Channel	EUT Channel	Test Frequency (MHz)
Middle	CH106	98.0

Note:

- (1) The measurements are performed at the highest, middle, lowest available channels.

### 1.3 DESCRIPTION OF TEST CONDITIONS



#### 1.4 DESCRIPTION OF SUPPORT UNITS

The EUT has been tested as an independent unit together with other necessary accessories or support units. The following support units or accessories were used to form a representative test configuration during the tests.

Item	Equipment	Model/Type No.	Series No.	Note
E-1	Mobile Phone	BV8800	N/A	EUT
E-2	Adapter	QA-0300CE03	N/A	Peripherals

Item	Type	Shielded Type	Ferrite Core	Length	Note
C-1	USB Cable	NO	NO	0.8m	

**Note:**

- (1) The support equipment was authorized by Declaration of Confirmation.
- (2) For detachable type I/O cable should be specified the length in cm in 『Length』 column.



1.5 EQUIPMENTS LIST FOR ALL TEST ITEMS

Item	Kind of Equipment	Manufacturer	Type No.	Serial No.	Last calibration	Calibrated until	Calibration period
1	ESG VETCTOR SIGNAL GENERATOR	Agilent	E4438C	MY45093347	2021.04.27	2022.04.26	1 year
2	PSG Analog Signal Generator	Agilent	E8257D	MY51110112	2021.07.01	2022.06.30	1 year
3	Coupler	Mini-Circuits	ZADC-10-63-S+	SF794101410	2020.04.07	2023.04.06	3 year
4	Audio Analyzer	audio precision	ATS-1	41128	2021.04.27	2022.04.26	1 year
5	Spectrum Analyzer	Agilent	E4407B	MY45108040	2021.04.27	2022.04.26	1 year
6	NTEK-EMC -Cable 005	N/A	N/A	N/A	N/A	N/A	N/A

Item	Kind of Equipment	Manufacturer	Type No.	Serial No.	Last calibration	Calibrated until	Calibration period
1	Bilog Antenna	TESEQ	CBL6111D	31216	2021.03.29	2022.03.28	1 year
2	Test Cable	N/A	R-01	N/A	2020.05.11	2023.05.10	3 year
3	Test Cable	N/A	R-02	N/A	2020.05.11	2023.05.10	3 year
4	EMI Test Receiver	R&S	ESCI-7	101318	2021.04.27	2022.04.26	1 year
5	Antenna Mast	EM	SC100_1	N/A	N/A	N/A	N/A
6	Turn Table	EM	SC100	060531	N/A	N/A	N/A
7	50Ω Switch	Anritsu Corp	MP59B	6200983705	2020.05.11	2023.05.10	3 year
8	Spectrum Analyzer	Agilent	E4407B	MY45108040	2021.04.27	2022.04.26	1 year
9	Horn Antenna	EM	EM-AH-10180	2011071402	2021.03.29	2022.03.28	1 year
10	Amplifier	EMC	EMC051835SE	980246	2021.07.01	2022.06.30	1 year

**2. SUMMARY OF TEST RESULTS**

The EUT has been tested according to the following specifications:

ETSI EN 303 345-1 V1.1.1 (2019-06)

ETSI EN 303 345-3 V1.1.1 (2021-06)

Clause	Test Item	Results
4.2	Sensitivity	Pass
4.3	Adjacent channel selectivity and blocking	Pass
4.4	Unwanted emissions in the spurious domain	Pass

2.1 TEST FACILITY

Shenzhen NTEK Testing Technology Co., Ltd.

Add. : 1/F, Building E, Fenda Science Park, Sanwei Community, Xixiang Street, Bao'an District, Shenzhen 518126 P.R. China

FCC Registered No.: 463705 IC Registered No.:9270A-1

CNAS Registration No.:L5516

2.2 MEASUREMENT UNCERTAINTY

The reported uncertainty of measurement  $y \pm U$  , where expended uncertainty  $U$  is based on a standard uncertainty multiplied by a coverage factor of  $k=2$  , providing a level of confidence of approximately **95** %.

No.	Item	Uncertainty
1	Uncertainty in conducted measurements	$\pm 1$ dB
2	Uncertainty in radiated measurements	$\pm 6$ dB
4	All emissions,radiated	$\pm 0.21$ dB

### 3. TEST PROCEDURES AND RESULTS

#### 3.1 SENSITIVITY

##### 3.1.1 LIMITS

Refer to chapter 4.2 of ETSI EN 303 345-3 V1.1.1 (2021-06)

**Table 2: FM sensitivity requirements**

De-modulation	Tuned frequency band	Wanted signal centre frequency (MHz)	Required sensitivity limit	
			Conducted (dBm)	Radiated (dBµV/m)
FM	VHF band II	98	-90	50 (see note)

**NOTE:** For products with an integral antenna, the requirement is relaxed to 67 dBµV/m.

The limits for sensitivity specified in table 2 shall apply. Each figure quoted is the required level of wanted signal which provides a given level of audio quality. The audio impairment criteria relevant for these tests is that the audio SNR  $\geq 40$  dBQ ref  $\pm 60,8$  kHz deviation, and that there shall be 10 seconds of audio with no subjective impairments (e.g. clicks resulting from FM threshold effects).

##### 3.1.2 TEST PROCEDURE

Refer to chapter 5.3.4 of EN 303 345-1 V1.1.1 (2019-06)

Measurement	
<input type="checkbox"/> Conducted measurement	<input checked="" type="checkbox"/> Radiated measurement

3.1.3 TEST SETUP

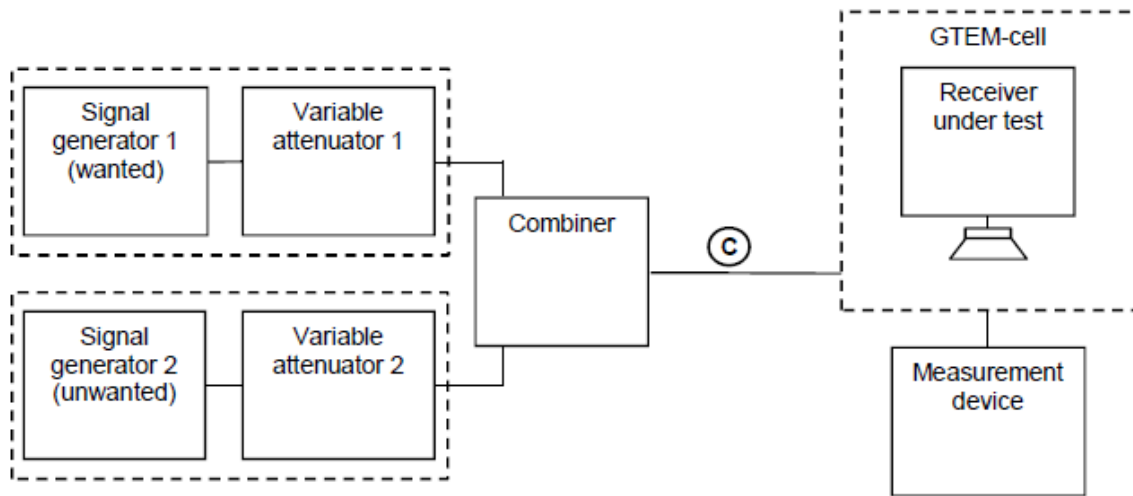


Figure 1: Generic measurement arrangement for receivers with built-in or integral antennas

3.1.4 TEST SIGNALS

The generated FM signals (wanted and unwanted) and the blocking signal shall be in accordance with table 2. The configuration is based on Recommendation ITU-R BS.641 [i.6].

Table 1: FM configuration

Parameter	FM signals		AM signal Blocking
	Wanted	Unwanted	
Audio modulation	1 kHz tone	Weighted noise Recommendation ITU-R BS.559-2 [3], clause 1, band- limited to 15 kHz (see note 1)	1 kHz tone
Other modulation parameters	±60,8 kHz peak deviation	15,9 kHz RMS deviation (see note 2)	80 % depth
Pilot tone	None	None	

NOTE 1: The filter shall have a cut-off frequency of 15 kHz and a minimum roll-off of 60 dB/octave.  
 NOTE 2: This is equivalent to a quasi-peak deviation of 34,8 kHz and has pre-emphasis enabled. The quasi-peak level measurement is defined by Recommendation ITU-R BS.641 [i.5], clause 5; with pre-emphasis disabled the quasi-peak deviation is 32 kHz (14,5 kHz RMS).

The means of generating the noise modulation for the "unwanted" signal is shown in figure 1.

3.1.5 TEST RESULTS

EUT :	Mobile Phone	Model Number :	BV8800
Temperature :	26°C	Relative Humidity:	60 %
Pressure :	1012 hPa	Test Voltage :	DC 3.85V
Test Mode :	RX-Middle Channel		

Frequency (MHz)	E (dBuV/m)	Signal(dBm)	Sound (mV)	Noise (mV)	SN (dBQ)
98	50	-41.23	2358	2.11	60.965

### 3.2. ADJACENT CHANNEL SELECTIVITY AND BLOCKING

#### 3.2.1 LIMITS

Refer to chapter 4.3 of ETSI EN 303 345-3 V1.1.1 (2021-06)

The limits for selectivity and blocking specified in table 4 shall apply with the channel spacings given in table 3. Each figure quoted is the minimum acceptable level of unwanted signal, relative to that of the wanted signal, which provides a given level of audio quality. The audio impairment criteria relevant for these tests is that the audio SNR  $\geq 40$  dBQ ref  $\pm 60,8$  kHz deviation, and that there shall be 10 seconds of audio with no subjective impairments (e.g. clicks resulting from FM threshold effects).

**Table 4: Adjacent channel selectivity and blocking requirements**

De-modulation (see note 1)	Tuned frequency band	C Wanted signal centre frequency (MHz)	C Wanted signal level		Required I/C ratio (see notes 2 and 3)			
			Conducted (dBm)	Radiated (dB $\mu$ V/m)	N = 2 (dB)	N = 3 (dB)	N = 4 (dB)	Blocking (dB)
FM (built-in or integral antenna)	VHF band II	98	n/a	56 (see note 4)	-15	-3	8	20
FM (external antenna)	VHF band II	98	-84	n/a	3	17	30	30

NOTE 1: The ACS and blocking requirements are currently separated into different limits for radiated and conducted testing methods. These limits are likely to be unified in a future revision of the present document. Users of the present document should consult frequently the latest list published in the Official Journal of the European Union.

NOTE 2: The frequency of the interferer shall be calculated using the channel spacing data in table 3 for each of the 6 defined adjacent channels  $N = \{-4, -3, -2, +2, +3, +4\}$  and the two blocking offsets. Each row of table 4 thus defines 8 individual tests.

NOTE 3: The minimum level of I for the relevant level of impairment is calculated by adding the I/C ratio to the wanted C level.

NOTE 4: The wanted signal level for receivers with integral antenna is 73 dB $\mu$ V/m.

3.2.2 TEST PROCEDURE

Refer to chapter 5.3.5 of EN 303 345-1 V1.1.1 (2019-06)

Measurement	
<input type="checkbox"/> Conducted measurement	<input checked="" type="checkbox"/> Radiated measurement

3.2.3 TEST SETUP

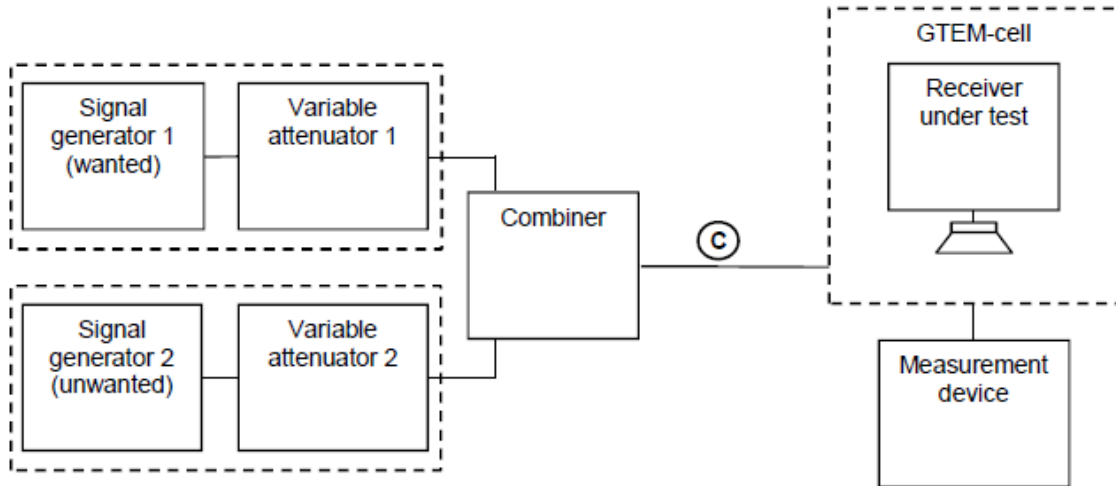


Figure 1: Generic measurement arrangement for receivers with built-in or integral antennas

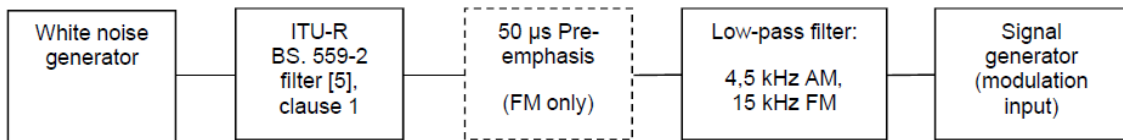


Figure 6: Arrangement for generating AM and FM interferers

3.2.4 TEST SIGNALS

The generated FM signals (wanted and unwanted) and the blocking signal shall be in accordance with table 2. The configuration is based on Recommendation ITU-R BS.641 [i.6].

Table 1: FM configuration

Parameter	FM signals		AM signal Blocking
	Wanted	Unwanted	
Audio modulation	1 kHz tone	Weighted noise Recommendation ITU-R BS.559-2 [3], clause 1, band-limited to 15 kHz (see note 1)	1 kHz tone
Other modulation parameters	±60,8 kHz peak deviation	15,9 kHz RMS deviation (see note 2)	80 % depth
Pilot tone	None	None	

NOTE 1: The filter shall have a cut-off frequency of 15 kHz and a minimum roll-off of 60 dB/octave.

NOTE 2: This is equivalent to a quasi-peak deviation of 34,8 kHz and has pre-emphasis enabled. The quasi-peak level measurement is defined by Recommendation ITU-R BS.641 [i.5], clause 5; with pre-emphasis disabled the quasi-peak deviation is 32 kHz (14,5 kHz RMS).

The means of generating the noise modulation for the "unwanted" signal is shown in figure 1.

The signal generator 1 provides the wanted Signal (dBm), and the signal generator 2 provides unwanted signal (dBm).

## 3.2.5 TEST RESULTS

EUT :	Mobile Phone	Model Number :	BV8800
Temperature :	26°C	Relative Humidity:	60 %
Pressure :	1012 hPa	Test Voltage :	DC 3.85V
Test Mode :	RX-Middle Channel		

## Adjacent channel selectivity

wanted Frequency (MHz)	wanted Signal E (dBuV/m)	wanted Signal (dBm)			
98	56	-28.35			
unwanted Frequency (MHz)	unwanted Signal E (dBuV/m)	unwanted Signal (dBm)	Sound (mV)	Noise (mV)	SN (dBQ)
97.6	64	-22.34	2431	4.32	55.01
97.7	53	-25.31	2511	5.11	53.83
97.8	41	-24.28	2435	3.57	56.68
98.2	41	-22.95	2441	3.52	56.82
98.3	53	-26.51	2511	3.11	58.14
98.4	64	-18.6	2623	3.28	58.06

## Receiver blocking

wanted Frequency (MHz)	wanted Signal E (dBuV/m)	wanted Signal (dBm)			
98	56	-28.35			
unwanted Frequency (MHz)	unwanted Signal E (dBuV/m)	unwanted Signal (dBm)	Sound (mV)	Noise (mV)	SN (dBQ)
98.8	76	-10.32	2531	3.25	57.83
97.2	76	-10.28	2311	2.57	59.08



### 3.3. UNWANTED EMISSIONS IN THE SPURIOUS DOMAIN

#### 3.3.1 LIMITS

Refer to chapter 4.2.6.2 of ETSI EN 303 345-3 V1.1.1 (2021-06)

The limits in CENELEC EN 55032 [4], table A.4, table A5 and A6.

#### 3.3.2 LIMITS OF RADIATED EMISSION MEASUREMENT (Below 1000MHz)

Table clause	Frequency range MHz	Measurement			Class B limits dB(μV/m)
		Facility (see Table A.1)	Distance m	Detector type / bandwidth	
A4.1	30 to 230	OATS/SAC	10	Quasi Peak / 120 kHz	30
	230 to 1 000				37
A4.2	30 to 230	OATS/SAC	3		40
	230 to 1 000				47
A4.3	30 to 230	FAR	10	32 to 25	
	230 to 1 000			32	
A4.4	30 to 230	FAR	3	42 to 35	
	230 to 1 000			42	

Apply only table clause A4.1 or A4.2 or A4.3 or A4.4 across the entire frequency range.

These requirements are not applicable to the local oscillator and harmonics frequencies of equipment covered by Table A.6.

Table Clause	Frequency Range MHz	Measurement			Class B Limit dB(μV/m)	
		Facility (see Table A.1)	Distance m	Detector type / Bandwidth	Fundamental	Harmonics
A6.1	30 to 230	OATS/SAC	10	Quasi Peak / 120 kHz	50	42
	230 to 300					42
	300 to 1 000					46
A6.2	30 to 230	OATS/SAC	3		52	
	230 to 300			52		
	300 to 1 000			56		
A6.3	30 to 230	FAR	10	52 to 45	44 to 37	
	230 to 300			45	37	
	300 to 1 000			45	41	
A6.4	30 to 230	FAR	3	62 to 55	54 to 47	
	230 to 300			55	47	
	300 to 1 000			55	51	

Apply only A6.1 or A6.2 or A6.3 or A6.4 across the entire frequency range.

These relaxed limits apply only to emissions at the fundamental and harmonic frequencies of the LO. Signals at all other frequencies shall be compliant with the limits given in Table A.4.

(Above 1000MHz)

Table clause	Frequency range MHz	Measurement			Class B limits dB(μV/m)
		Facility (see Table A.1)	Distance m	Detector type/ bandwidth	
A5.1	1 000 to 3 000	FSOATS	3	Average/ 1 MHz	50
	3 000 to 6 000				54
A5.2	1 000 to 3 000			Peak/ 1 MHz	70
	3 000 to 6 000				74

Apply A5.1 and A5.2 across the frequency range from 1 000 MHz to the highest required frequency of measurement derived from Table 1.

Notes:

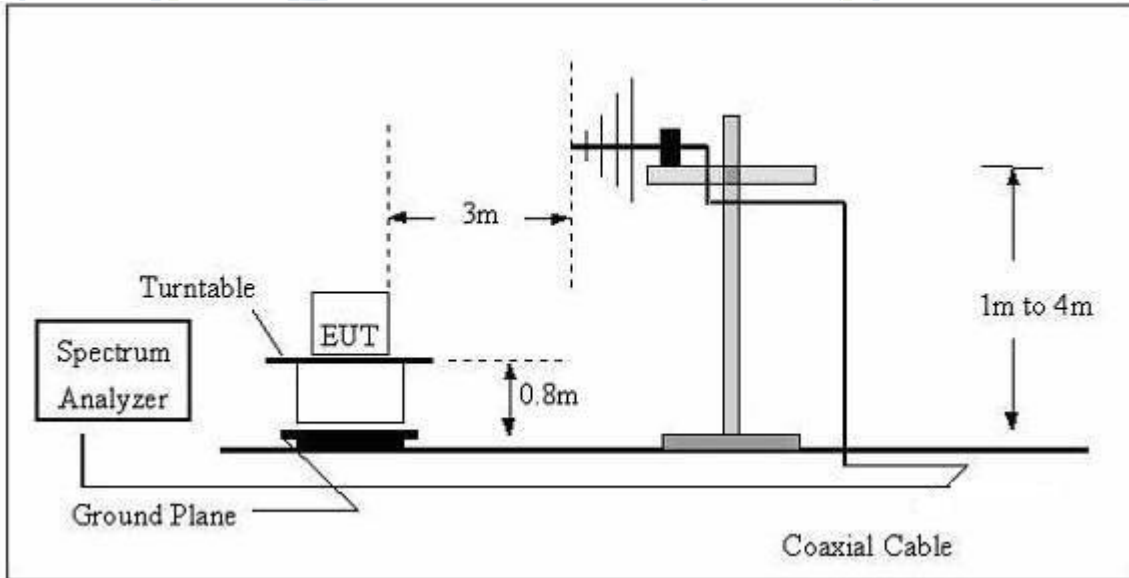
- (1) The limit for radiated test was performed according to as following: EN55032.
- (2) The tighter limit applies at the band edges.
- (3) Emission level (dBuV/m)=20log Emission level (uV/m).

### 3.3.3 TEST PROCEDURE

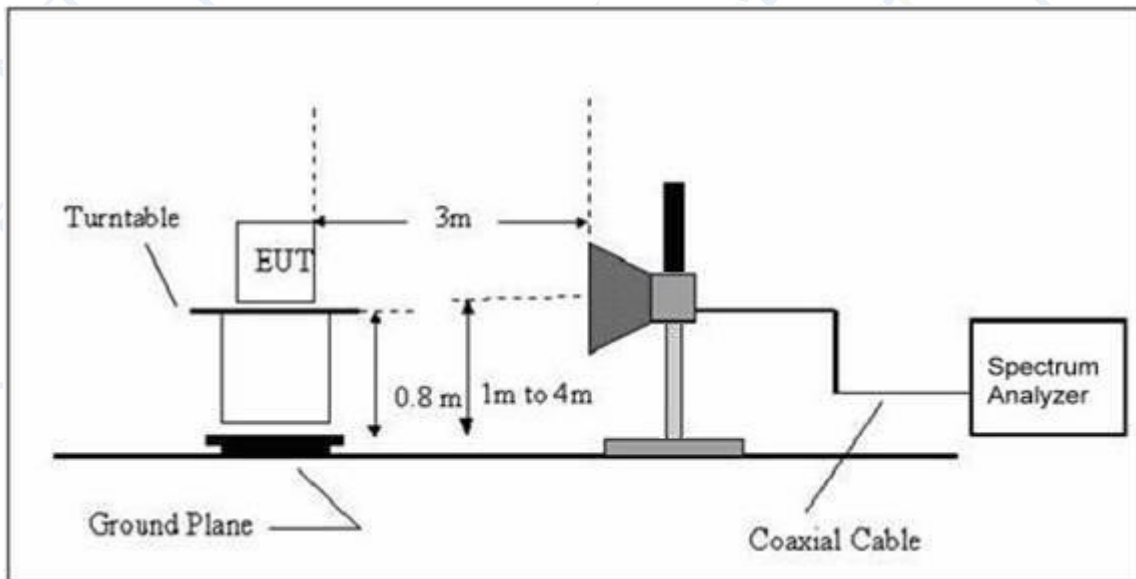
- a. The measuring distance of at 3 m shall be used for measurements at frequency up to 1GHz. For frequencies above 1GHz, any suitable measuring distance may be used.
- b. The EUT was placed on the top of a rotating table 0.8 meters above the ground at a 3M meter open area test site. The table was rotated 360 degrees to determine the position of the highest radiation.
- c. The height of the equipment or of the substitution antenna shall be 0.8 m; the height of the test antenna shall vary between 1 m to 4 m. Both horizontal and vertical polarizations of the antenna are set to make the measurement.
- d. The initial step in collecting conducted emission data is a spectrum analyzer peak detector mode pre-scanning the measurement frequency range. Significant peaks are then marked and then Quasi Peak detector mode re-measured.
- e. If the Peak Mode measured value compliance with and lower than Quasi Peak Mode Limit, the EUT shall be deemed to meet QP Limits and then no additional QP Mode measurement performed.
- f. For the actual test configuration, please refer to the related Item –EUT Test Photos.

### 3.3.4 TEST SETUP

#### (A) Radiated Emission Test Set-Up Frequency Below 1 GHz



#### (B) Radiated Emission Test Set-Up Frequency Above 1GHz



### 3.3.5 EUT OPERATING CONDITIONS

The EUT tested system was configured as the statements of 2.2 Unless otherwise a special operating condition is specified in the follows during the testing.

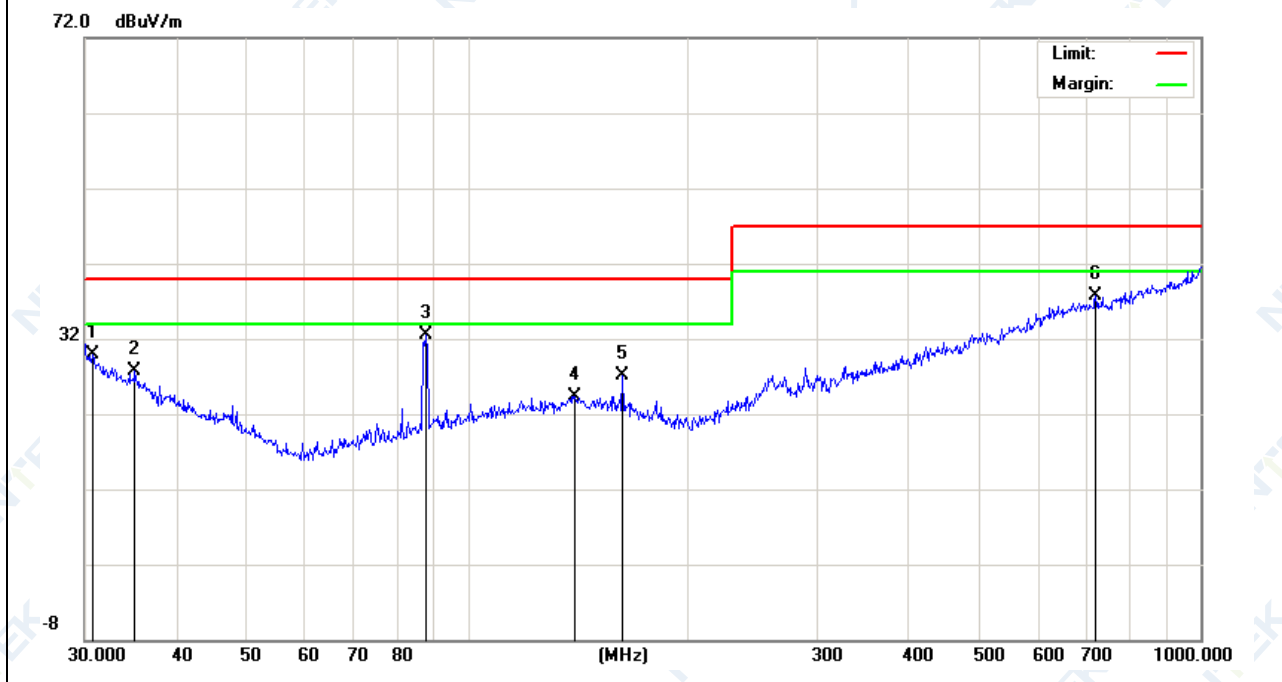
3.3.6 TEST RESULTS (30-1000MHz)

EUT :	Mobile Phone	Model Number :	BV8800
Temperature :	25.4°C	Relative Humidity :	54%
Pressure :	1010 hPa	Polarization :	Horizontal
Test Power :	DC 5V from Adapter AC 230V/50Hz	Test Mode :	FM

Frequency (MHz)	Meter Reading (dBμV)	Factor (dB)	Emission Level (dBμV/m)	Limits (dBμV/m)	Margin (dB)	Remark
30.7454	5.58	24.26	29.84	40.00	-10.16	QP
35.1278	6.61	21.12	27.73	40.00	-12.27	QP
87.7248	17.15	15.35	32.50	40.00	-7.50	QP
139.8506	5.37	18.97	24.34	40.00	-15.66	QP
162.6106	9.32	17.70	27.02	40.00	-12.98	QP
719.1992	7.98	29.72	37.70	47.00	-9.30	QP

Remark:

1. Factor = Antenna Factor + Cable Loss – Pre-amplifier.

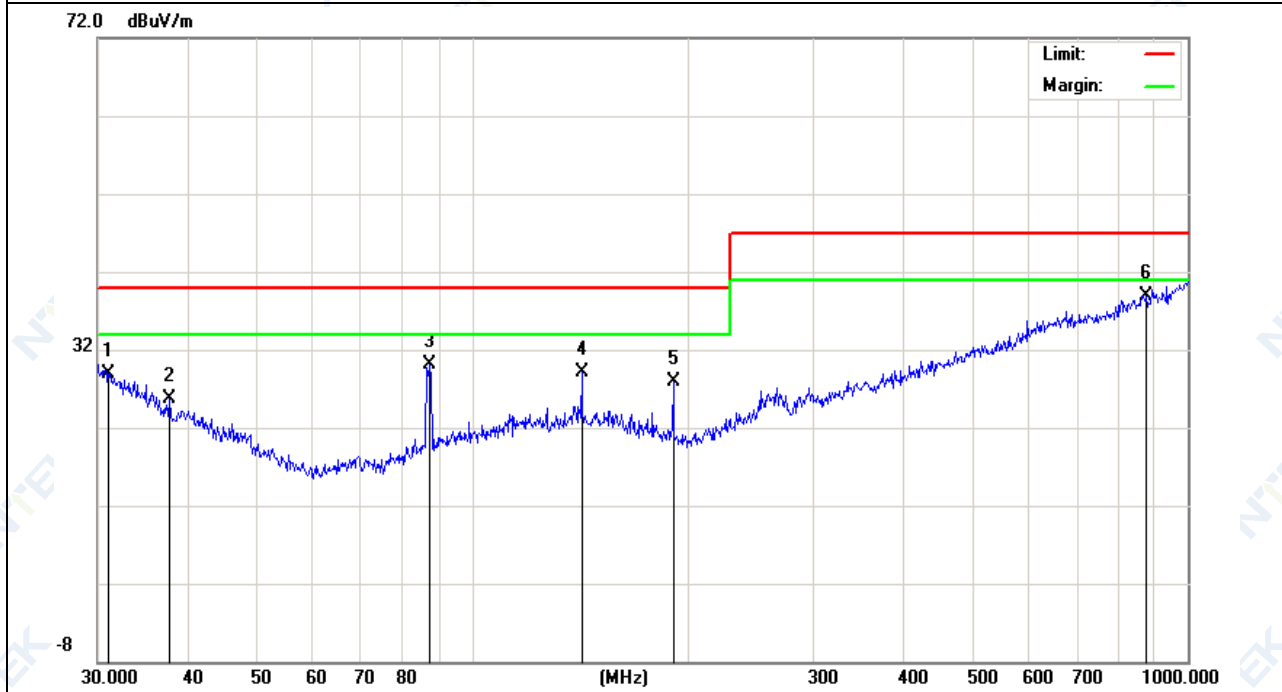


EUT :	Mobile Phone	Model Number :	BV8800
Temperature :	25.4 °C	Relative Humidity :	54%
Pressure :	1010 hPa	Polarization :	Vertical
Test Power :	DC 5V from Adapter AC 230V/50Hz	Test Mode :	FM

Frequency (MHz)	Meter Reading (dBμV)	Factor (dB)	Emission Level (dBμV/m)	Limits (dBμV/m)	Margin (dB)	Remark
31.0704	5.06	23.90	28.96	40.00	-11.04	QP
37.8121	6.59	19.05	25.64	40.00	-14.36	QP
87.4175	14.93	15.27	30.20	40.00	-9.80	QP
142.3242	10.54	18.63	29.17	40.00	-10.83	QP
191.0738	12.18	15.75	27.93	40.00	-12.07	QP
875.2468	6.81	32.15	38.96	47.00	-8.04	QP

Remark:

1. Factor = Antenna Factor + Cable Loss – Pre-amplifier.



## 3.3.7 TEST RESULTS(1000-6000 MHz)

EUT :	Mobile Phone	Model Number :	BV8800
Temperature :	25.1℃	Relative Humidity :	53%
Pressure :	1010 hPa	Test Mode :	FM
Test Power :	DC 5V from Adapter AC 230V/50Hz		

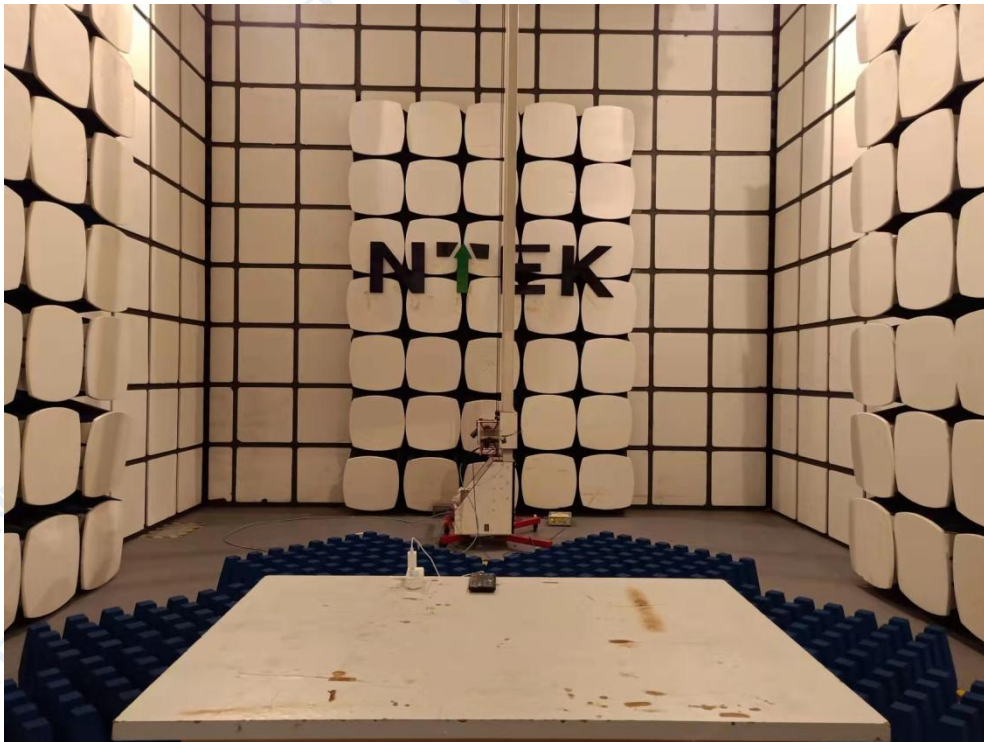
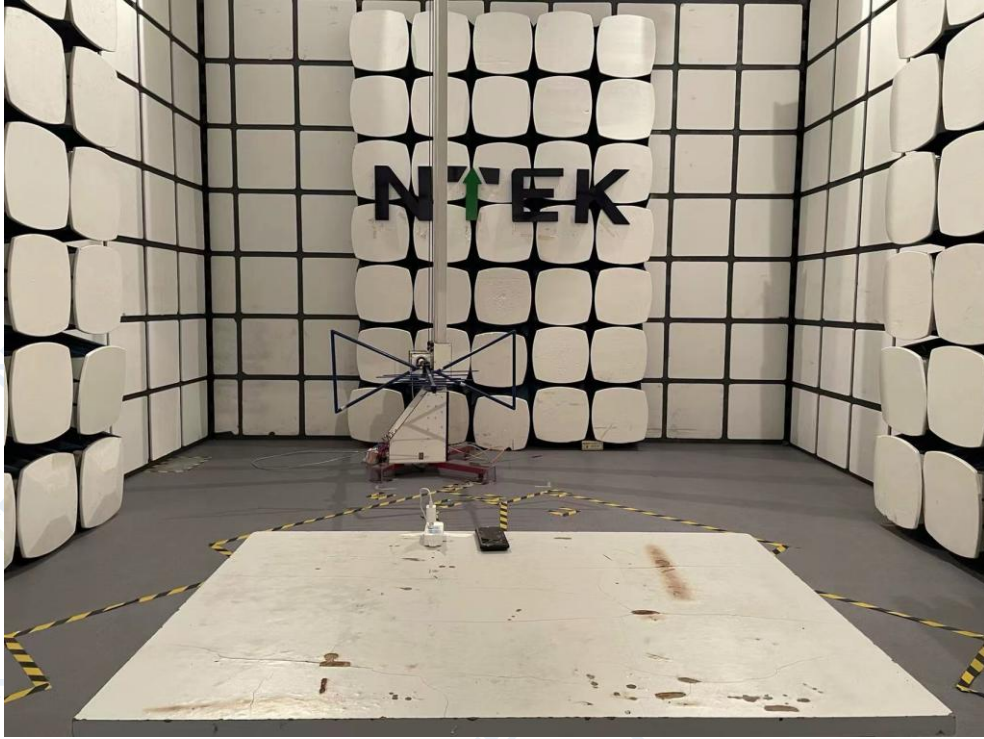
Polar (H/V)	Frequency	Meter Reading	Factor	Emission Level	Limits	Margin	Remark
	(MHz)	(dBm)	(dB)	(dBm)	(dBm)	(dB)	
V	1862.500	37.86	4.13	41.99	70.00	-28.01	peak
V	2362.500	39.25	5.72	44.97	70.00	-25.03	peak
V	2712.500	40.11	7.18	47.29	70.00	-22.71	peak
V	2962.500	38.74	8.61	47.35	70.00	-22.65	peak
V	4775.000	35.39	12.00	47.39	74.00	-26.61	peak
V	5512.500	34.91	13.50	48.41	74.00	-25.59	peak
H	1475.000	38.36	2.34	40.70	70.00	-29.30	peak
H	1850.000	37.37	4.08	41.45	70.00	-28.55	peak
H	2087.500	37.73	4.98	42.71	70.00	-27.29	peak
H	2887.500	38.86	8.10	46.96	70.00	-23.04	peak
H	3825.000	37.39	10.79	48.18	74.00	-25.82	peak
H	5562.500	37.44	13.50	50.94	74.00	-23.06	peak

**Remark:**

Emission Level= ReadingLevel+ Factor, Margin= Emission Level - Limit

4. EUT TEST PHOTO

Measurement Photos



END OF REPORT