



RADIO TEST REPORT

ETSI EN 303 413 V1.2.1 (2021-04)

Product : 4G Tablet

Trade Mark : Blackview/OSCAL

Model Name : Tab 80

Family Model : Pad 12

Report No. : S23082304803010

Prepared for

DOKE COMMUNICATION (HK) LIMITED

RM 1902 EASEY COMM BLDG 253-261 HENNESSY ROAD WANCHAI HK CHINA

Prepared by

Shenzhen NTEK Testing Technology Co., Ltd.

1/F, Building E, Fenda Science Park, Sanwei Community, Xixiang Street

Bao'an District, Shenzhen 518126 P.R. China

Tel. 400-800-6106, 0755-2320 0050, 0755-2320 0090

Website:<http://www.ntek.org.cn>

TEST RESULT CERTIFICATION

Applicant's name : DOKE COMMUNICATION (HK) LIMITED
Address..... : RM 1902 EASEY COMM BLDG 253-261 HENNESSY ROAD
WANCHAI HK CHINA
Manufacturer's Name : Shenzhen DOKE Electronic Co., Ltd
Address..... : 801, Building3, 7th Industrial Zone, Yulv Community, Yutang Road,
Guangming District, Shenzhen, China.

Product description

Product name..... : 4G Tablet
Trademark : Blackview/OSCAL
Model and/or type reference : Tab 80
Family Model..... : Pad 12

Standards : ETSI EN 303 413 V1.2.1 (2021-04)

This device described above has been tested by Shenzhen NTEK, and the test results show that the equipment under test (EUT) is in compliance with the article 3.2 of Directive 2014/53/EU requirements. And it is applicable only to the tested sample identified in the report.

This report shall not be reproduced except in full, without the written approval of Shenzhen NTEK, this document may be altered or revised by Shenzhen NTEK, personnel only, and shall be noted in the revision of the document.

Test Sample Number : S230613041001

Date of Test

Date (s) of performance of tests..... : Jun 16, 2023 ~ Jul 11, 2023

Date of Issue : Sep 05, 2023

Test Result..... : **Pass**

*Note: All test data of this report are based on the original test report
S23061304101010 dated by Jul 12, 2023*

Testing Engineer :



(Allen Liu)

Authorized Signatory :



(Alex Li)

Table of Contents	Page
1 . SUMMARY OF TEST RESULTS	5
1.1 TEST FACILITY	6
1.2 MEASUREMENT UNCERTAINTY	6
2 . GENERAL INFORMATION	7
2.1 GENERAL DESCRIPTION OF EUT	7
2.2 DESCRIPTION OF TEST CONDITIONS	8
2.3 BLOCK DIGRAM SHOWING THE CONFIGURATION OF SYSTEM TESTED	9
2.4 DESCRIPTION OF SUPPORT UNITS	10
2.5 EQUIPMENTS LIST FOR ALL TEST ITEMS	11
3 . RECEIVER BLOCKING	12
3.1 APPLIED PROCEDURES / LIMIT	12
3.2 TEST FREQUENCY & SIGNAL	12
3.3 TEST PROCEDURE	13
3.4 TEST SETUP	13
3.5 TEST RESULTS	14
4 . SPURIOUS EMISSIONS	15
4.1 APPLIED PROCEDURES / LIMIT	15
4.2 TEST PROCEDURES	15
4.3 TEST SETUP	16
4.4 EUT OPERATION DURING TEST	16
4.5 TEST RESULTS (30MHZ ~ 1000MHZ)	17
4.6 TEST RESULTS (1GHZ ~ 8.3GHZ)	18
5 . EUT TEST PHOTO	19
SPURIOUS EMISSIONS MEASUREMENT PHOTOS	19
APPENDIX-PHOTOGRAPHS OF EUT CONSTRUCTIONAL DETAILS	

1. SUMMARY OF TEST RESULTS

Test procedures according to the technical standards:
ETSI EN 303 413 V1.2.1 (2021-04)

Clause	Description of Test Item	Remarks	Results
Receiver Parameters			
4.2.1	RECEIVER BLOCKING	Conducted	Pass
4.2.2	Spurious emissions	Radiated	Pass

1.1 TEST FACILITY

Shenzhen NTEK Testing Technology Co., Ltd.
 Add. : 1/F, Building E, Fenda Science Park, Sanwei Community, Xixiang Street, Bao'an District, Shenzhen 518126 P.R. China
 FCC Registered No.: 463705 IC Registered No.:9270A-1
 CNAS Registration No.:L5516

1.2 MEASUREMENT UNCERTAINTY

The reported uncertainty of measurement $y \pm U$, where expanded uncertainty U is based on a standard uncertainty multiplied by a coverage factor of $k=2$, providing a level of confidence of approximately 95%.

No.	Item	Uncertainty
1	Conducted Emission Test	$\pm 1.38\text{dB}$
2	RF power,conducted	$\pm 0.16\text{dB}$
3	Spurious emissions,conducted	$\pm 0.21\text{dB}$
4	All emissions,radiated(<1G)	$\pm 4.68\text{dB}$
5	All emissions,radiated(>1G)	$\pm 4.89\text{dB}$
6	Temperature	$\pm 0.5^\circ\text{C}$
7	Humidity	$\pm 2\%$

2. GENERAL INFORMATION

2.1 GENERAL DESCRIPTION OF EUT

Equipment	4G Tablet	
Trade Mark	Blackview/OSCAL	
Model Name	Tab 80	
Family Model	Pad 12	
Model Difference	All the model are the same circuit and RF module,except the model name, logo, memory.	
Product Description	Operation Frequency:	1.57542GHz
	Modulation Type:	BPSK modulation
	Antenna Designation:	PIFA Antenna
	The product only receives.	
Channel List	Refer to below	
Adapter	Adapter 1: Brand name: OSCAL Model: QZ-01000EA00 Input: 100-240V~50/60Hz 0.3A Output: 5.0V---2.0A (10.0W) Adapter 2: Brand name: Blackview Model: QZ-01000EA00 Input: 100-240V~50/60Hz 0.3A Output: 5.0V---2.0A (10.0W) Adapter 3: Brand name: Blackview Model: QZ-01001EA00 Input: 100-240V~50/60Hz 0.3A Output: 5.0V---2.0A (10.0W)	
Battery	DC 3.85V, 7680mAh	
Rating	DC 3.85V from battery or DC 5V from adapter	
Hardware Version	T30-T616-V2.0	
Software Version	Tab80_EEA_T30_V1.0	

Note:

1. For a more detailed features description, please refer to the manufacturer's specifications or the User's Manual.

;

2.2 DESCRIPTION OF TEST CONDITIONS

Pretest Mode	Description
Mode 1	RX(CH01)

For Conducted Test	
Final Test Mode	Description
Mode 1	RX(CH01)

For Radiated Test	
Final Test Mode	Description
Mode 1	RX(CH01)

2.3 BLOCK DIGRAM SHOWING THE CONFIGURATION OF SYSTEM TESTED

**E-1
EUT**

2.4 DESCRIPTION OF SUPPORT UNITS

The EUT has been tested as an independent unit together with other necessary accessories or support units. The following support units or accessories were used to form a representative test configuration during the tests.

Item	Equipment	Model/Type No.	Series No.	Note
E-1	4G Tablet	Tab 80	N/A	EUT

Item	Shielded Type	Ferrite Core	Length	Note

Note:

- (1) The support equipment was authorized by Declaration of Confirmation.
- (2) For detachable type I/O cable should be specified the length in cm in 『Length』 column.
- (3) “YES” means “shielded” or “with ferrite core”; “NO” means “unshielded” or “without ferrite core”

2.5 EQUIPMENTS LIST FOR ALL TEST ITEMS

Item	Kind of Equipment	Manufacturer	Type No.	Serial No.	Last calibration	Calibrated until	Calibration period
1	Spectrum Analyzer	Agilent	E4407B	160400005	2023.03.31	2024.03.30	1 year
2	Test Receiver	R&S	ESPI7	101318	2023.03.27	2024.03.26	1 year
3	Bilog Antenna	TESEQ	CBL6111D	31216	2023.03.16	2024.03.17	1 year
4	50Ω Coaxial Switch	Anritsu	MP59B	6200983705	2023.05.06	2026.05.05	3 year
5	Spectrum Analyzer	ADVANTES T	R3132	150900201	2023.05.29	2024.05.28	1 year
6	Horn Antenna	EM	EM-AH-20180	2011071402	2023.03.31	2024.03.30	1 year
7	Horn Ant	Schwarzbeck	BBHA 9170	9170-181	2023.01.12	2024.01.12	1 year
8	Pre-Amplifier	EMC	EMC051835SE	980246	2023.05.29	2024.05.28	1 year
9	Loop Antenna	ARA	PLA-2030/B	1029	2023.05.29	2024.05.28	1 year
10	USB RF Power Sensor	DARE	RPR3006W	15I00041SN O84	2023.05.29	2024.05.28	1 year
11	Signal Generator	R&S	SMT 06	832080/007	2023.05.29	2024.05.28	1 year
12	Temperature & Humidity Chamber	GIANT FORCE	GTH-056P	GF-94454-1	2023.05.29	2024.05.28	1 year
13	Power Sensor	R&S	URV5-Z4	0395.1619.05	2023.05.29	2024.05.28	1 year
14	MXA Signal Analyzer	Agilent	N9020A	MY49100060	2023.05.29	2024.05.28	1 year
15	LTE Wireless Communications Test Set	R&S	CMW500	1100.008.02	2023.05.29	2024.05.28	1 year
16	MXG Vector Signal Generator	Agilent	N5182A	MY47070317	2023.05.29	2024.05.28	1 year
17	Power Splitter	Mini-Circuits	ZN2PD-63-S	SF025101618	2023.05.29	2024.05.28	1 year

3. RECEIVER BLOCKING

3.1 APPLIED PROCEDURES / LIMIT

The limits please refer to ETSI EN 303 413 V1.2.1 (2021-04) V4.2.1.2.

Clause	Test Item	Limit
4.2.1	RECEIVER BLOCKING	$\Delta C/N_0 \leq 1 \text{ dB}$

3.2 TEST FREQUENCY & SIGNAL

According to ETSI EN 303 413 V1.2.1 the test wanted signal please see the below Table B-1, And the unwanted signal please see the Table 4-1, Table 4-2, Table 4-4.

Table 4-1: GNSS constellations, GNSS signals and RNSS frequency bands

GNSS Constellation	GNSS Signal Designations	RNSS Frequency Band (MHz)
BDS	B1I	1 559 to 1 610
	B1C	1 559 to 1 610
Galileo	E1	1 559 to 1 610
	E5a	1 164 to 1 215
	E5b	1 164 to 1 215
	E6	1 215 to 1 300
GLONASS	G1	1 559 to 1 610
	G2	1 215 to 1 300
GPS	L1 C/A	1 559 to 1 610
	L1C	1 559 to 1 610
	L2C	1 215 to 1 300
	L5	1 164 to 1 215
SBAS	L1	1 559 to 1 610
	L5	1 164 to 1 215

Table 4-2: Frequency bands, adjacent frequency signal test point centre frequencies and power levels for the 1 559 MHz to 1 610 MHz RNSS band

Frequency band (MHz)	Test point centre frequency (MHz)	Adjacent frequency signal power level (dBm)	Comments
1 518 to 1 525	1 524	-65	MSS (space-to-Earth) band
1 525 to 1 549	1 548	-95	MSS (space-to-Earth) band
1 549 to 1 559	1 554	-105	MSS (space-to-Earth) band
1 559 to 1 610	GUE RNSS band under test		
1 610 to 1 626	1 615	-105	MSS (Earth-to-space) band
1 626 to 1 640	1 627	-85	MSS (Earth-to-space) band

Table 4-3: Frequency bands, blocking signal test point centre frequencies and power levels for the 1 164 MHz to 1 300 MHz RNSS band

Frequency band (MHz)	Test point centre frequency (MHz)	Blocking signal power level (dBm)	Comments
960 to 1 164	1 154	-75	AM(R)S, ARNS band
1 164 to 1 215	GUE RNSS band under test		
1 215 to 1 260	GUE RNSS band under test		
1 260 to 1 300	GUE RNSS band under test		
1 300 to 1 350	1 310	-85	Radiolocation, ARNS, RNSS (Earth-to-space) band

Table 4-4: Blocking signal

Parameter	Value	Comments
Frequency	See table 4-2 and table 4-3	
Power level	See table 4-2 and table 4-3	
Bandwidth	1 MHz	See clause B.1 for details
Format	AWGN	

Table B-1: Signal power levels for each GNSS signal within each GNSS constellation supported

GNSS constellation	GNSS signal	Signal power level (note)
BDS	B1I	-133 dBm
	B1C (IGSO)	-131 dBm
	B1C (MEO)	-129 dBm
Galileo	E1	-127 dBm
	E5a	-125 dBm
	E5b	-125 dBm
	E6	-125 dBm
GLONASS	G1	-131 dBm
	G2	-137 dBm
GPS	L1 C/A	-128,5 dBm
	L1C	-127 dBm
	L2C	-130 dBm
	L5	-124,9 dBm
SBAS	L1	-131 dBm
	L5	-127,5 dBm

NOTE: The signal power levels represent the total signal power of the satellite per channel, not for example pilot and data channels separately.

3.3 TEST PROCEDURE

According to ETSI EN 303 413 V1.2.1 Clause 5.4& Annex B.2.

Measurement	
<input checked="" type="checkbox"/> Conducted measurement	<input type="checkbox"/> Radiated measurement

- 1) Configure the GNSS signal generator to simulate those GNSS and GNSS signals from table 4-1 declared as supported by the GUE, with power levels and other details as specified in clause B.2.
- 2) With the adjacent frequency signal switched off, the EUT shall be given sufficient time to acquire all simulated satellites from the declared GNSS system(s).
- 3) Record the baseline C/N₀ value(s) reported by the EUT. Sufficient filtering shall be used to obtain a stable value. C/N₀ may be averaged across all the satellites in view for each GNSS constellation. However, C/N₀ shall not be averaged across satellite signals in different GNSS constellations. For a multi-GNSS EUT, there shall be a separate C/N₀ value recorded for each GNSS constellation and each GNSS signal supported.
- 4) The adjacent frequency signal generator shall be configured to generate the signal defined in table 4-4, at the first test point centre frequency and signal power level as specified in table 4-2.
- 5) The adjacent frequency signal shall be switched on, and the EUT's C/N₀ value(s) recorded as in step 3) to measure the degradation with respect to the baseline value(s) recorded in step 3).
- 6) Test point Pass/Fail Criteria: If the C/N₀ degradation from step 5) does not exceed the value in equation 4-1, then this test point is set to "pass". If the C/N₀ degradation exceeds the value in equation 4-1, then this test point is set to "fail." For a multi-GNSS and multi-signal EUT, there shall be a separate pass/fail determination for each GNSS and for each GNSS signal supported. If the C/N₀ degradation exceeds the value in equation 4-1 for any supported GNSS or supported GNSS signal, then this test point is set to "fail".
- 7) Step 1) through step 6) shall be repeated for all test point centre frequencies (and associated signal power level) specified in table 4-2.

3.4 TEST SETUP

Please see the below figure 5-1:

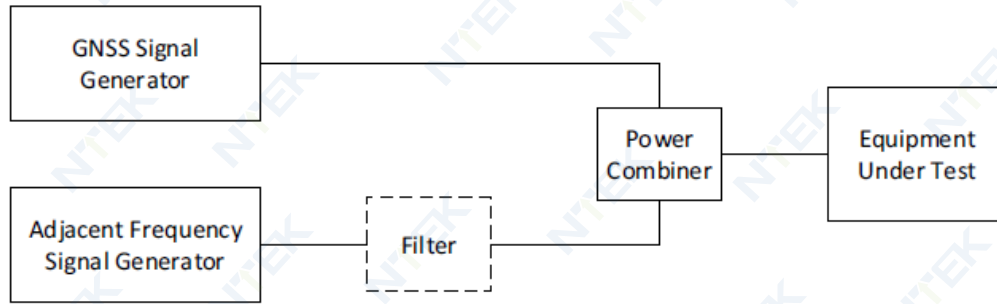


Figure 5-1: Conducted measurement setup for EUT adjacent frequency band selectivity

3.5 TEST RESULTS

EUT :	4G Tablet	Model Name :	Tab 80
Temperature :	26°C	Relative Humidity :	60 %
Pressure :	1012 hPa	Test Voltage :	DC 3.85V
Test Mode :	GPS RX		

Test point centre frequency	signal power level	C/N ₀ value (Blocking signal switched off)	C/N ₀ value (Blocking signal switched on)	Δ C/N ₀	Limit(Δ C/N ₀)	Results
(MHz)	(dBm)				(dB)	(P/F)
1575.42	-128.5					
1524	-65	34.25	34.05	0.20	≤ 1 dB	PASS
1548	-95	34.62	34.35	0.27	≤ 1 dB	PASS
1554	-105	34.18	34.11	0.07	≤ 1 dB	PASS
1615	-105	34.69	34.52	0.17	≤ 1 dB	PASS
1627	-85	34.18	34.03	0.15	≤ 1 dB	PASS

Note: We test the C/N₀ value for each GNSS, but the report just reported the worst Δ C/N₀ values.

4. SPURIOUS EMISSIONS

4.1 APPLIED PROCEDURES / LIMIT

The limits please refer to ETSI EN 303 413 V1.2.1 (2021-04) clause 4.2.2.2.

Table 4-5: Spurious emission limits

Frequency range	Maximum power	Bandwidth
30 MHz to 1 GHz	-57 dBm	100 kHz
1 GHz to 8,3 GHz	-47 dBm	1 MHz

4.2 TEST PROCEDURES

According to ETSI EN 303 413 V1.2.1 Clause 5.5.

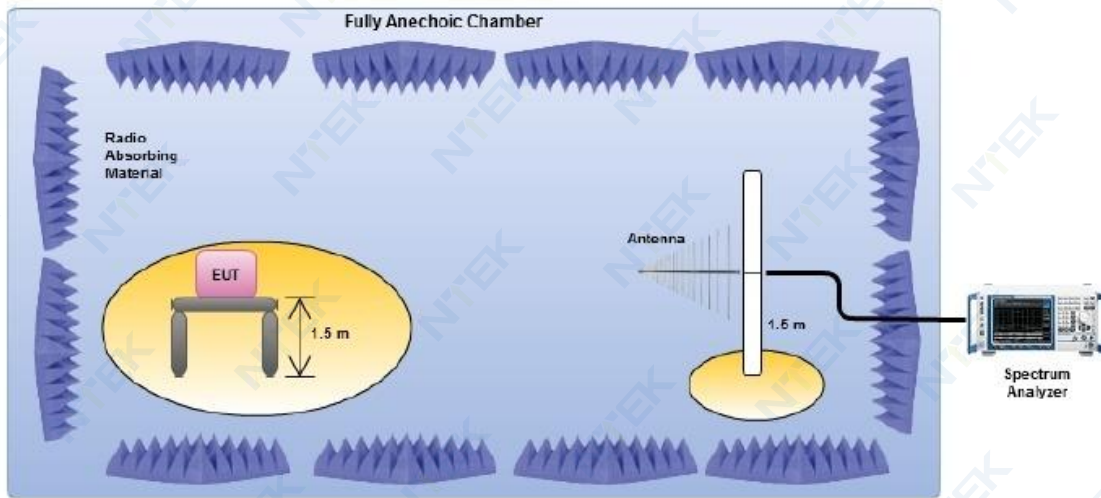
Measurement	
<input type="checkbox"/> Conducted measurement	<input checked="" type="checkbox"/> Radiated measurement

The test site as described in ETSI EN 300 328 [1], annex B and the applicable measurement procedures as described in ETSI EN 300 328 [1], annex C shall be used.

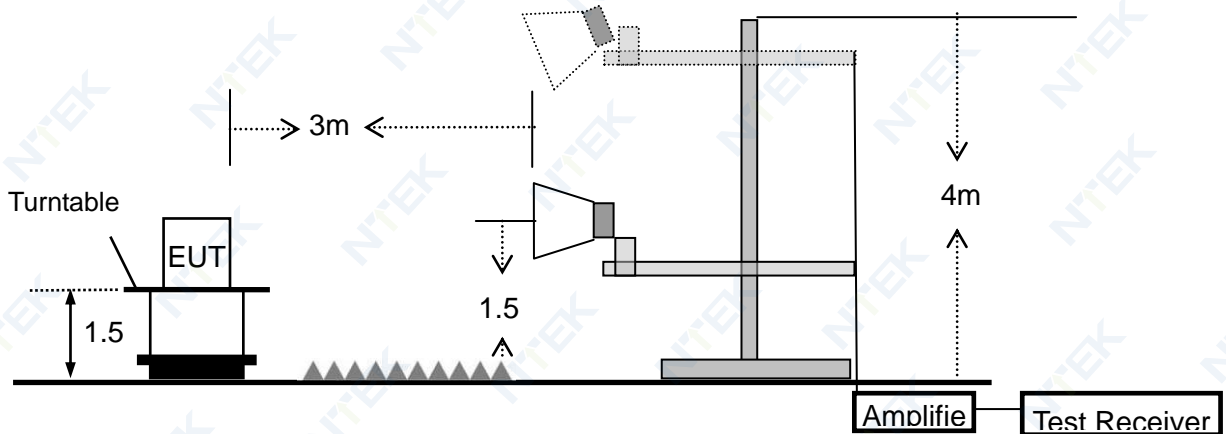
The test procedure is further described in clause 5.5.2.1.

4.3 TEST SETUP

(A) Radiated Emission Test Set-Up Frequency Below 1 GHz



(B) Radiated Emission Test Set-Up Frequency Above 1GHz



4.4 EUT OPERATION DURING TEST

The EUT was programmed to be in receiving mode.

4.5 TEST RESULTS (30MHZ ~ 1000MHZ)

EUT :	4G Tablet	Model Name :	Tab 80
Temperature :	24 °C	Relative Humidity :	54%
Pressure :	1010 hPa	Test Power :	DC 3.85V
Test Mode :	Mode 1		

Polar (H/V)	Frequency	Meter Reading	Factor	Emission Level	Limits	Margin	Remark
	(MHz)	(dBm)	(dB)	(dBm)	(dBm)	(dB)	
H	44.857	-88.59	13.07	-75.52	-57.00	-18.52	peak
H	90.926	-94.88	15.32	-79.56	-57.00	-22.56	peak
H	180.416	-94.43	22.62	-71.81	-57.00	-14.81	peak
H	365.654	-92.26	23.62	-68.64	-57.00	-11.64	peak
H	491.442	-90.96	25.62	-65.34	-57.00	-8.34	peak
V	32.404	-92.42	9.52	-82.90	-57.00	-25.90	peak
V	104.261	-89.34	12.90	-76.44	-57.00	-19.44	peak
V	195.877	-94.81	19.75	-75.06	-57.00	-18.06	peak
V	434.954	-90.91	22.94	-67.97	-57.00	-10.97	peak
V	479.123	-94.07	29.54	-64.53	-57.00	-7.53	peak

Emission Level = Meter Reading + Factor, Margin= Emission Level - Limit

All the modes had been tested, but only the worst data recorded in the report.

Note: Only the worst case recorded in the report.

4.6 TEST RESULTS (1GHz ~ 8.3GHz)

EUT :	4G Tablet	Model Name :	Tab 80
Temperature :	24 °C	Relative Humidity :	54%
Pressure :	1010 hPa	Test Power :	DC 3.85V
Test Mode :	Mode 1		

Polar (H/V)	Frequency	Meter Reading	Factor	Emission Level	Limits	Margin	Detector Type
	(MHz)	(dBm)	(dB)	(dBm)	(dBm)	(dB)	
H	2351.168	-68.6	10.51	-58.09	-47.00	-11.09	peak
H	5266.952	-68.06	8.32	-59.74	-47.00	-12.74	peak
H	2714.021	-71.34	8.93	-62.41	-47.00	-15.41	peak
H	3903.957	-70.29	7.34	-62.95	-47.00	-15.95	peak
H	3168.79	-73.8	12.52	-61.28	-47.00	-14.28	peak
V	2454.046	-73.81	8.13	-65.68	-47.00	-18.68	peak
V	4354.466	-68.44	10.00	-58.44	-47.00	-11.44	peak
V	2774.83	-71.79	10.16	-61.63	-47.00	-14.63	peak
V	5208.72	-74.44	10.42	-64.02	-47.00	-17.02	peak
V	4523.333	-68.1	15.92	-52.18	-47.00	-5.18	peak

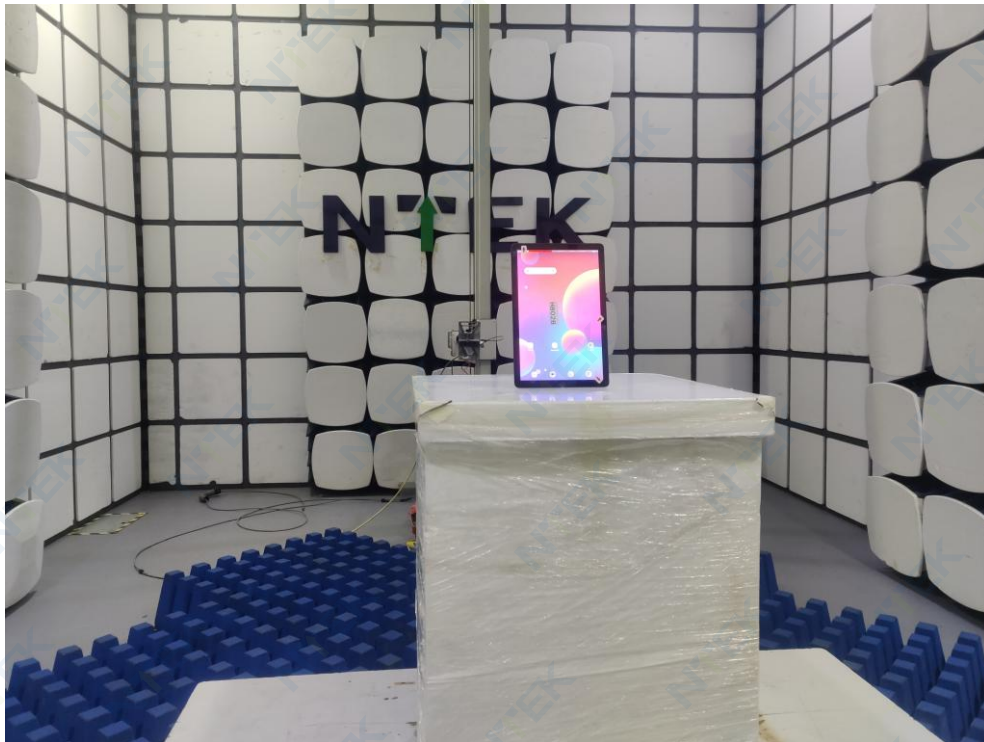
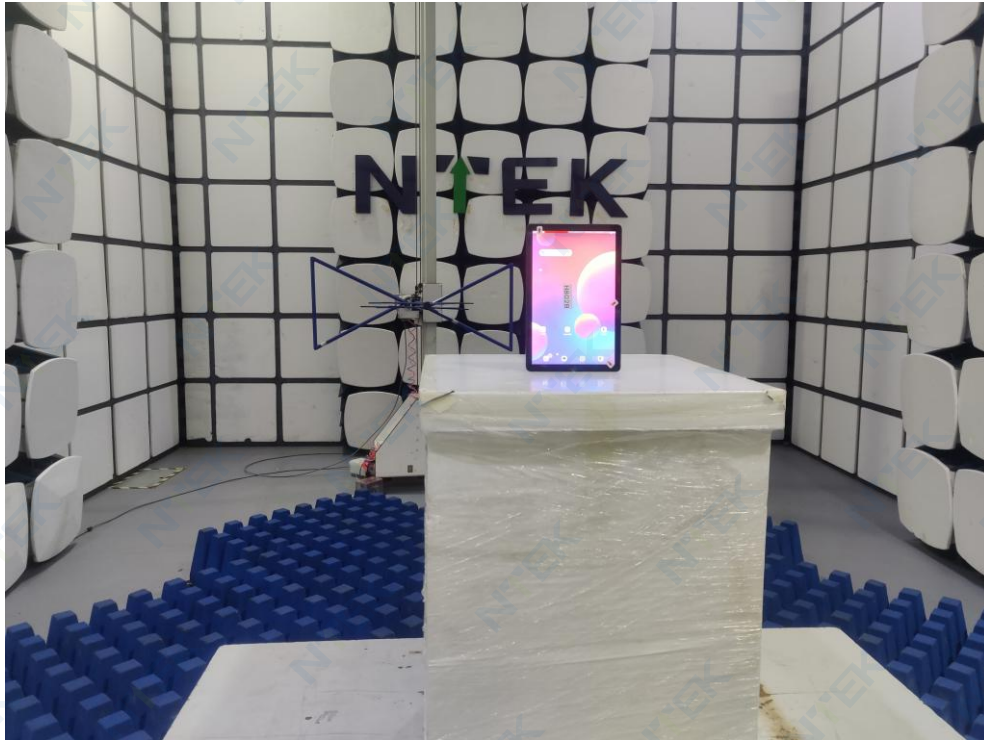
Remark:

Emission Level = Meter Reading + Factor, Margin= Emission Level - Limit

Note: Only the worst case recorded in the report.

5. EUT TEST PHOTO

SPURIOUS EMISSIONS MEASUREMENT PHOTOS



END OF REPORT