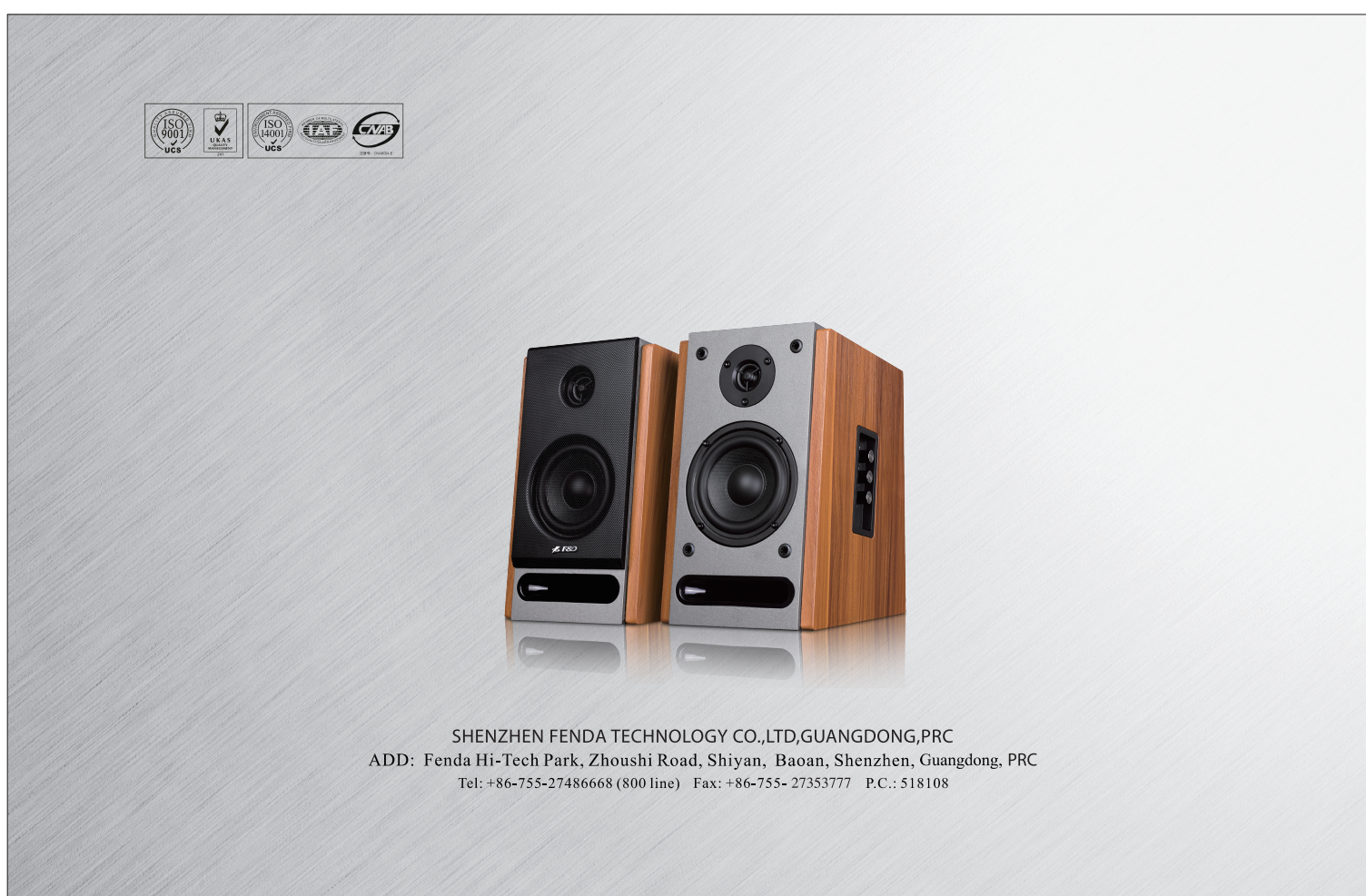


成型尺寸	200X130MM
材质要求	128g铜版纸
印刷要求	单黑印刷
工艺要求	书钉
页码数(页)	4页(成型)

F&D 奋达科技		时 间	20181008	订 单 号	自然更新
品 牌	F&D	公司型号	R25BT	客户型号	R25BT
版 本	A0	设计内容	说明书	料 号	17.7.030.1711
电 子 软 件		结 构 电 声		PLM文档编号	
设计者	杨改改	标 准 化		项 目 经 理 产 品 经 理	
复 核		业 务		核 准	



SAFETY PRECAUTIONS

- Never push objects of any kind (needles, hair-pins, coins, insects) into this system.
- Do not put the system in damp circumstances, prevent from ingress of moisture and dust. (Do not place flower vases and other objects on it).
- Prevent the system from heating. (Do not install the system near heat sources and prevent it from direct sunlight).
- Do not use petrol, alcohol and other solvents when cleaning, as they may damage stained surface. Clean only with dry soft cloth.
- In order to avoid electric shock and other accidents, never open the back cover for repair without any professional guidance.
- Switch off the power and take off the plug from the power jack when the system is not on work.

Notes:

The specifications may be changed without preliminary notice.

Locating

- Place the speakers symmetrically to the listeners to the distance not less than one metre.
- Port tube is located at the back panel of the speaker cabinet, please locate it about 20—30 cm from the wall or other object.

Installation and operation guide

- Before making connections make sure the speaker is switched off.
- Connect speakers with the connection cable.
- Insert input signal cable (RCA socket) into input port on back panel and the other end into output port of your PC, MP3, etc.
- Plug connector to power socket.
- Adjust the volume knobs to the minimum, revolve the power button on the side of the master speaker.
- Adjust the volume knob to the necessary volume.
- Adjust TREBLE and BASS knobs to desired level.

Bluetooth mode

a. Active "Bluetooth" function on your device and search for "Fenda R25BT".

Enter "0000" if your device asks for the PIN code.

b. After pairing successfully, ready for playing music.

Recommend to adjust suitable volume before playing music.

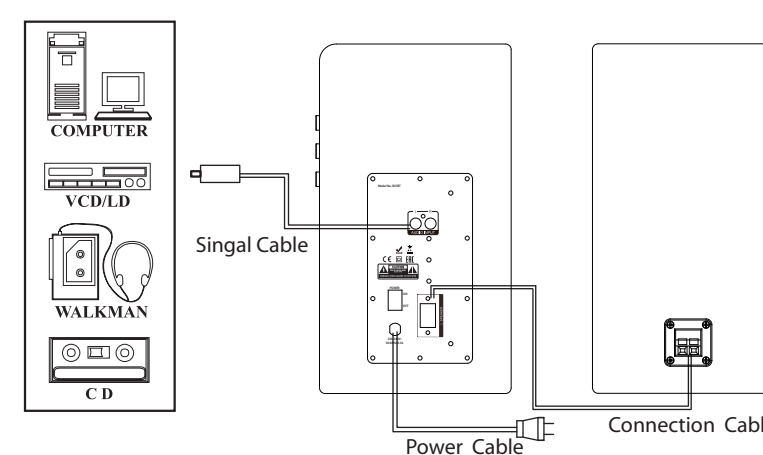
Notice: After Power on, the unit will automatically search the Bluetooth device and connect it. If the device paired before. If can't find paired device, it will enter pairing mode automatically. Bluetooth device should activate "Bluetooth" function during pairing and search for "Fenda R25BT".

Pairing a bluetooth device supporting NFC

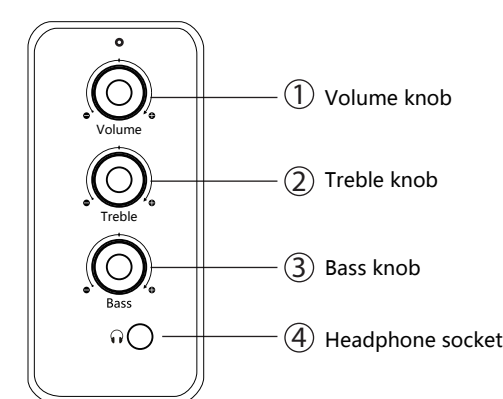
If your Bluetooth device supports Near Field Communication (NFC), make sure that NFC feature is activated. Touch the NFC area of your Bluetooth device to top of R25BT in order to automatically pairing.

Note: If your phone has NFC support but it is running an OS below Android 4.1, you will need to download an NFC Bluetooth APP from Google play or a similar online store.

Connection diagram



Side control panel functions:



Package contents

Speakers ----- 1set
 Operation Manual ----- 1pc
 signal cable ----- 2pcs
 Connection Cable ----- 1pc

Specification

Output power -----22W x2
 Voltage supply -----220-240V~50/60Hz 0.3A

Speaker units
 woofer -----4"
 tweeter -----1"

Impedance ----- 4Ω

Frequence Response -----20Hz~20KHz

Product dimensions ----W156xD213xH280mm
 Product net weight -----4.95kg